

A.S.F



All products are
manufactured in the U.K.

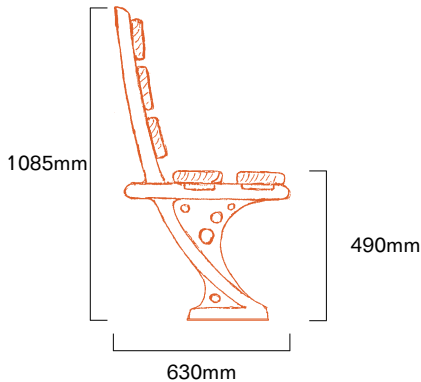
Premier

seating range

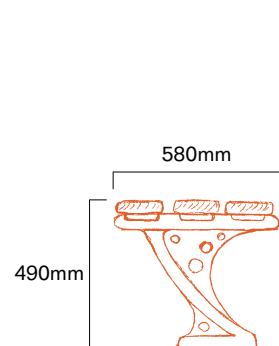


**Heavy Duty, Elegant, Combining Traditional with
Modern Styling.**

ASF 550



ASF 551



Finish	(ends) Grey rust resistant gloss paint. RAL or BS colours available on request. All slats are treated with 3 coats of Cuprinol Timber Preservative.	Length	Standard length is 1800mm but other sizes can be made.
Highlights	A second colour to embellish seat ends available on request.	Fixings	(ends) These are designed for bolt fixing. Bolts can be supplied on request. (slats) These are fixed with bolts. Anti-vandal nut caps can be supplied on request.
Insignia	Borough/City/Town Coat of Arms, Crests, Logos, Dates etc can be incorporated in order to individualise schemes.		

A.S.F

Architectural Street Furnishings

A Division of W.B. White Foundry Limited

Priory Road, Armytage Road, Brighouse, West Yorkshire, HD6 1PY Tel: 01484 401414 Fax: 01484 721398

e-mail: info@asfco.co.uk Website: www.asfco.co.uk

Acknowledgement:

